



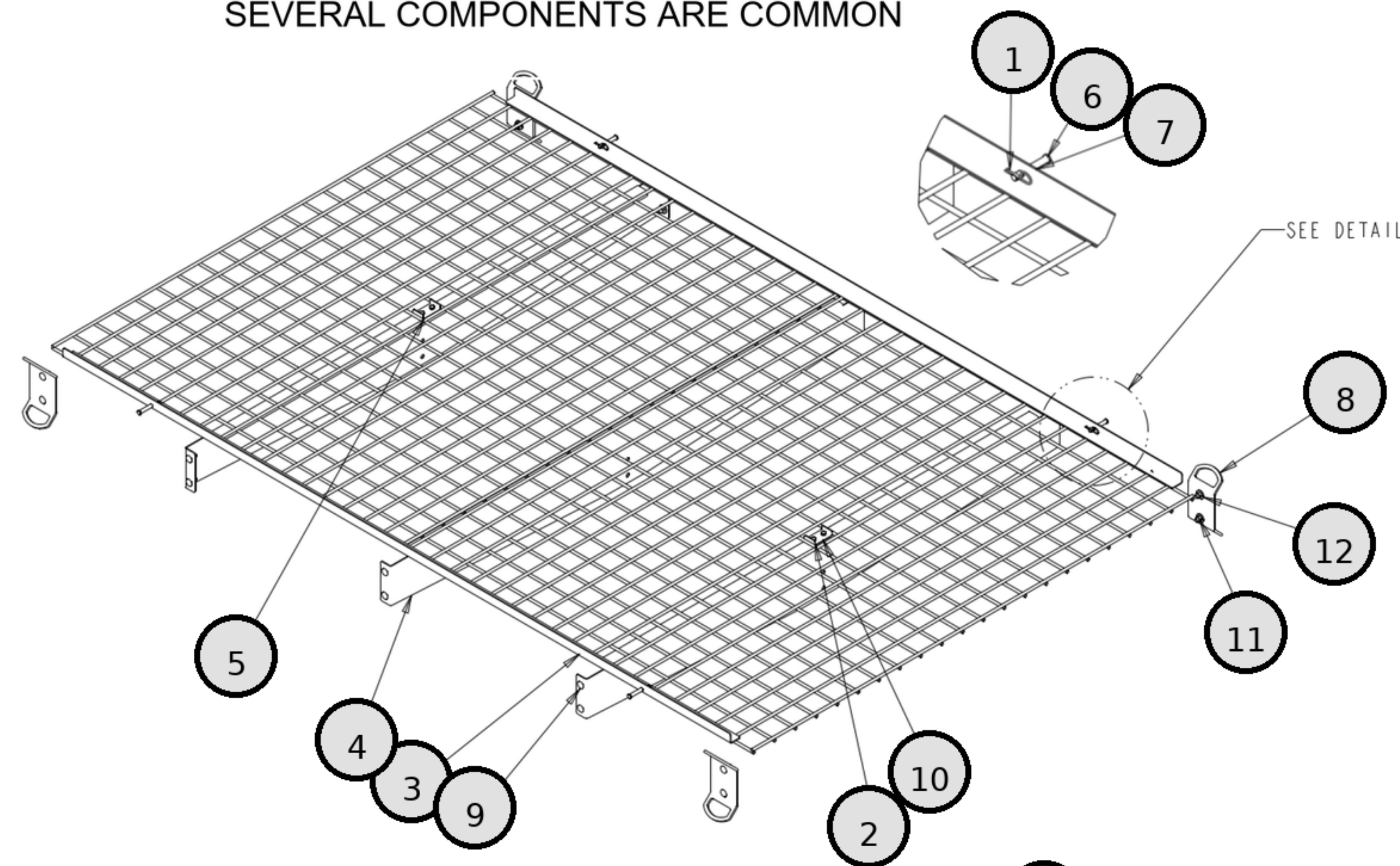
# MIDSIZE SPREADERS - GAS

## FIGURE LIST

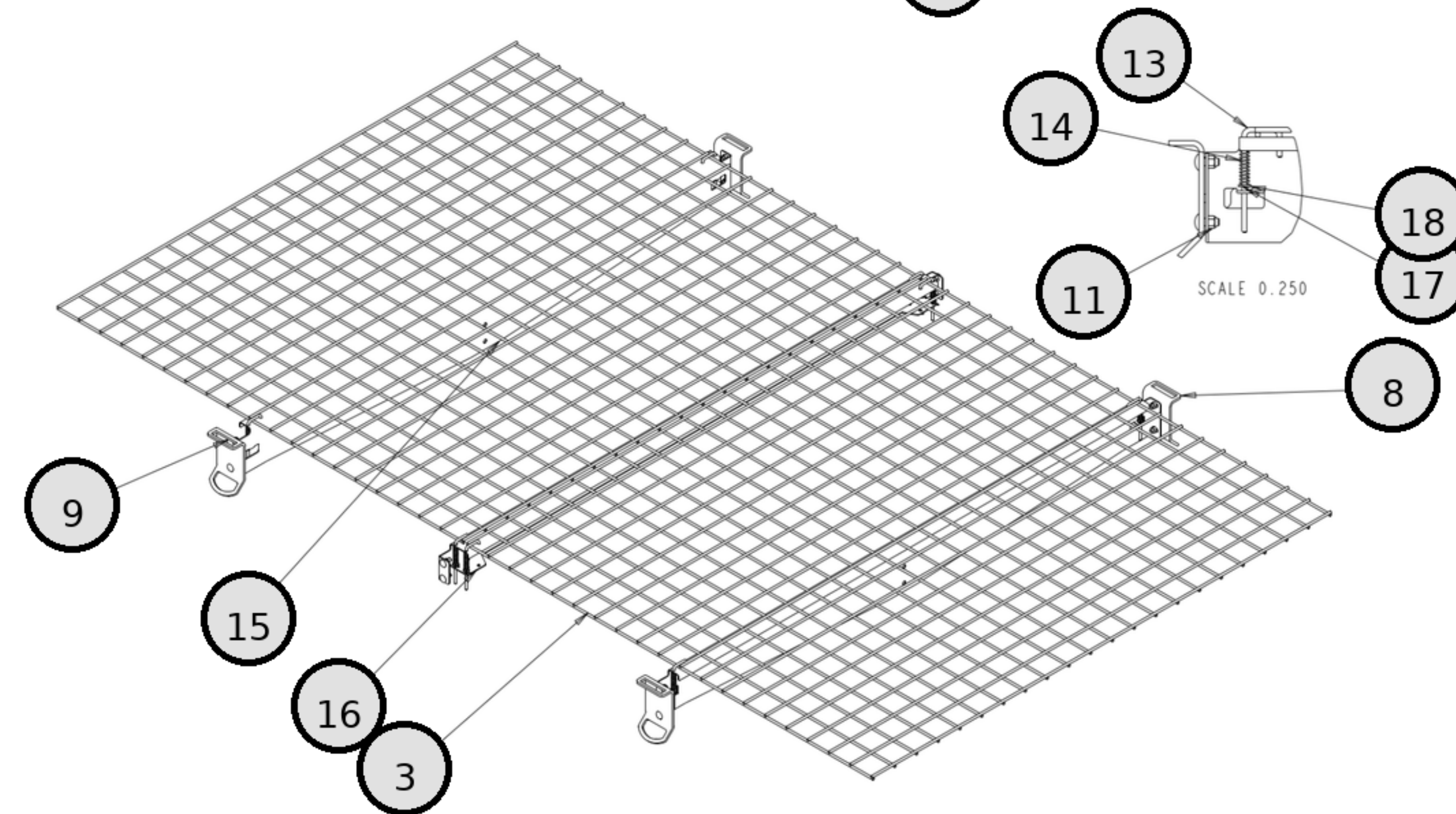
Page	Description
<b>1</b>	14710F381211 14709F381211 14708F381211 LOW PROFILE SCREEN KITS
<b>2</b>	14710F381211 14709F381211 14708F381211 INVERTED VEE
<b>3</b>	14710F521211 14710F461211 14709F521211 14709F461211 14708F461211 SCREEN KITS
<b>4</b>	14710F521211 14710F461211 14710F381211 14709F521211 14709F461211 14709F381211 14708F461211 14708F381211 HOPPER
<b>6</b>	14710F521211 14710F461211 14710F381211 14709F521211 14709F461211 14709F381211 14708F461211 14708F381211 CHUTE ATTACHMENT HARDWARE
<b>7</b>	14710F521211 14710F461211 14709F521211 14709F461211 14708F461211 INVERTED VEE
<b>8</b>	14710F521211 14710F461211 14710F381211 14709F521211 14709F461211 14709F381211 14708F461211 14708F381211 CHUTE ASSEMBLY

NOTE: COMPLETE SCREEN KITS ARE NOT BACKWARDS COMPATIBLE  
SEVERAL COMPONENTS ARE COMMON

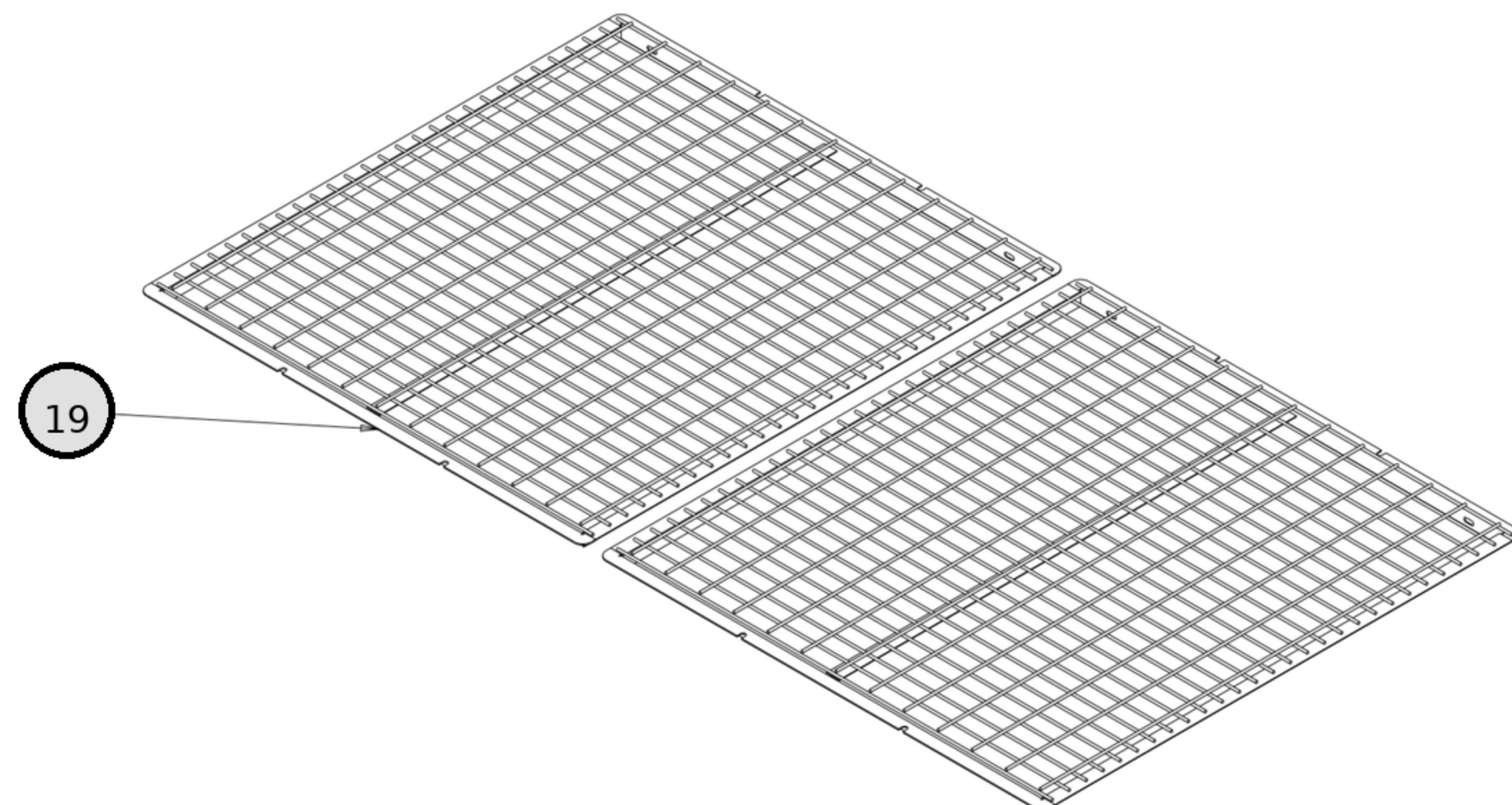
2025 DESIGN  
RECESSED SCREEN



2022 DESIGN  
FLUSH SCREEN



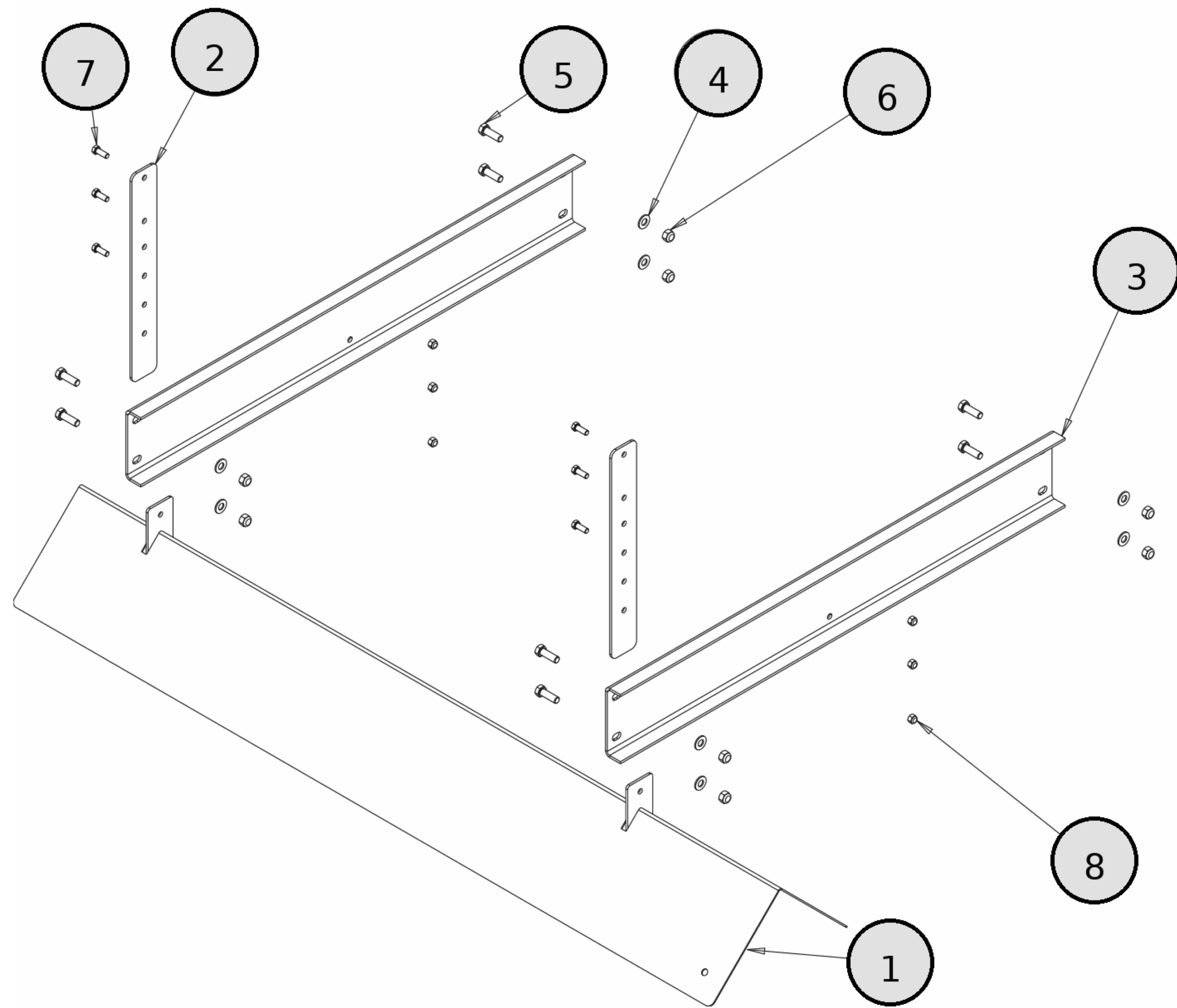
2020 DESIGN  
FRAMED SCREEN



REF	PN	DESCRIPTION
1	3001257	HAIR PIN, SST
2	3018701	SCREW, HEX HD, 5/16-18 X 1 SST
3	3056169	WIRE MESH, 8FT (2 PER)
3	3056169	WIRE MESH, 8FT (2 PER)
3	3056177	WIRE MESH, 9FT (2 PER)
3	3056177	WIRE MESH, 9FT (2 PER)
3	3056182	WIRE MESH, 10FT (2 PER)
3	3056182	WIRE MESH, 10FT (2 PER)
4	3063159	CROSS MEMBER, SST, MIDSIZE 46/52
5	3063257	SCREEN LOCATER
6	3063685	CLEVIS PIN, .375X2-1/8 SST
7	3063161	CLAMP, SCREEN, 10FT (2 PER)
7	3063965	CLAMP, SCREEN, 9FT (2 PER)
7	3064265	CLAMP, SCREEN, 8FT (2 PER)
8	3064579	BRACKET, TIE-DOWN, MIDSIZE
8	3064579	BRACKET, TIE-DOWN, MIDSIZE
9	FCB037516100SS	CARRIAGE BOLT, 3/8-16X1 SST
9	FCB037516100SS	CARRIAGE BOLT, 3/8-16X1 SST
10	FNE031018034SS	NYLOCK NUT, 5/16-18 SST WAXED
11	FNE038016044SS	NYLOCK NUT, 3/8-16 SST WAXED
11	FNE038016044SS	NYLOCK NUT, 3/8-16 SST WAXED
12	FWF038100007SS	FLAT WASHER, 3/8 SST
13	3054283	LOCK PIN
14	3054284	LOCK PIN SPRING
15	3056168	CROSS MEMBER, ENDS
16	3056167	CROSS MEMBER, MIDDLE
17	FPC009000075SS	COTTER PIN, 3/32X3/4 SST
18	FWF025063007SS	FLAT WASHER, 1/4 SST
19	3025436	SCREEN, 10FT (2 PER)
19	3028143	SCREEN, 9FT (2 PER)
19	3028154	SCREEN, 8FT (2 PER)

## LOW PROFILE SCREEN KITS

14710F381211 / 14709F381211 / 14708F381211



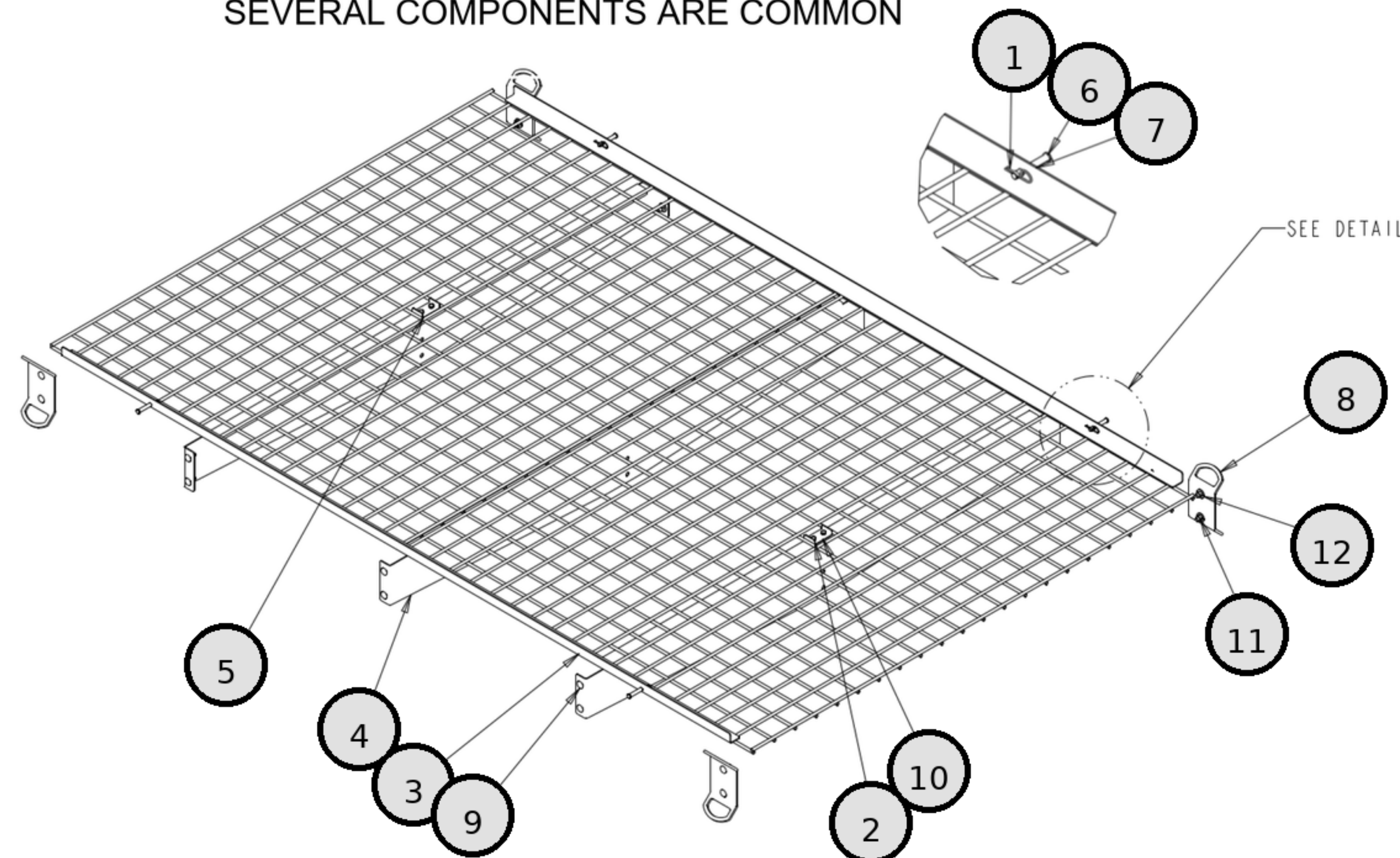
REF	PN	DESCRIPTION
1	3025254	INVERTED VEE,WELDMENT 10FT
1	3028141	INVERTED VEE,WELDMENT 9FT
2	3030225	BAR, INVERTED VEE
3	3049463	CROSS MEMBER, 38IN HOPPER
4	3003873	WASHER, FLAT 1/2" SAE TYPE A SST
5	3006723	SCREW, HEX HD 1/2-13X1.5 GR5 SS
6	FNE050013053SS	NUT, NYLOCK 1/2-13 SS
7	FCS038016100SS	SCREW, HHC 3/8-16 X 1 304 SST
8	FNE038016044SS	NUT, NYLOCK 3/8-16 X 7/16 SST

## INVERTED VEE

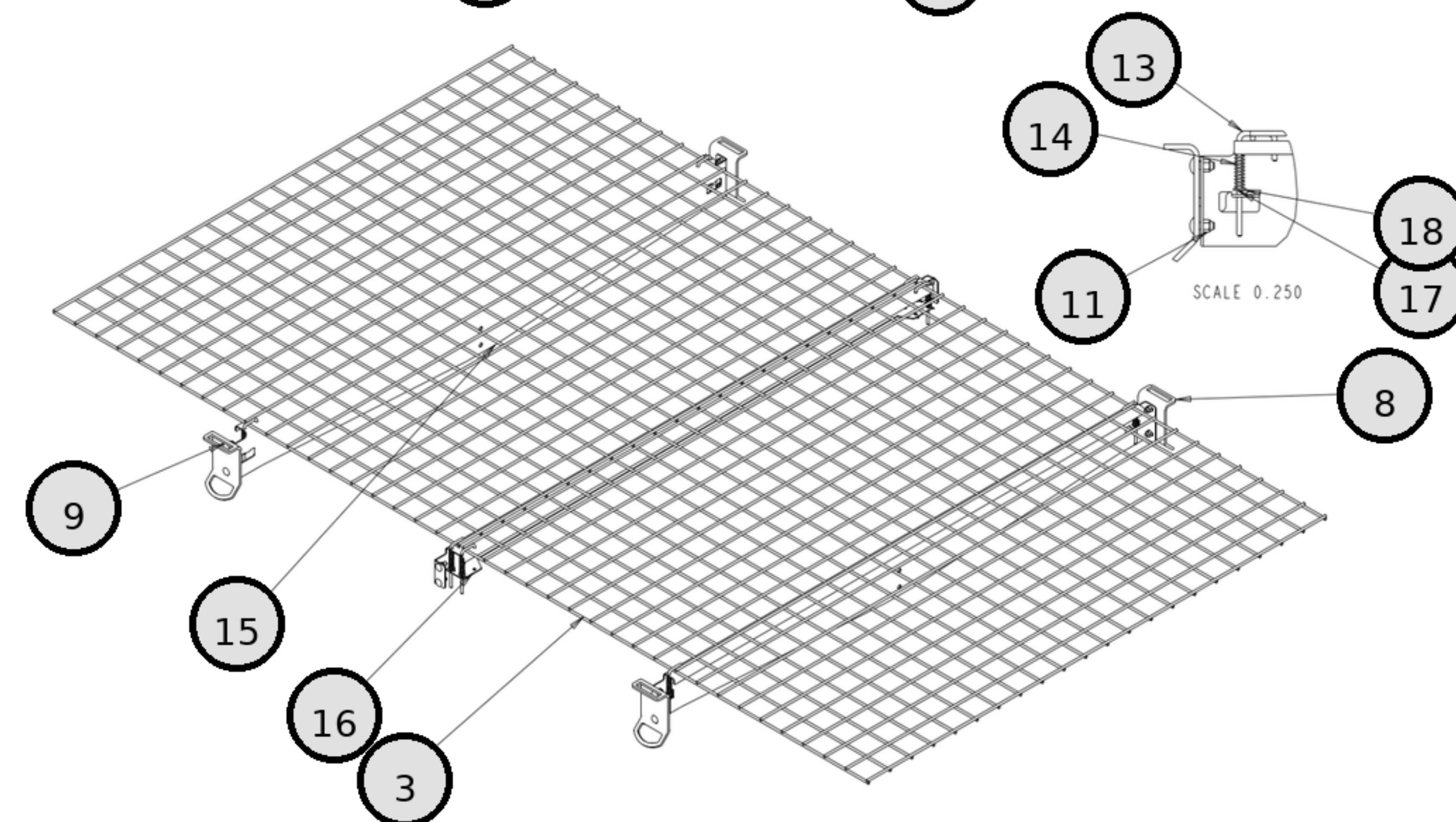
14710F381211 / 14709F381211 / 14708F381211

NOTE: COMPLETE SCREEN KITS ARE NOT BACKWARDS COMPATIBLE  
SEVERAL COMPONENTS ARE COMMON

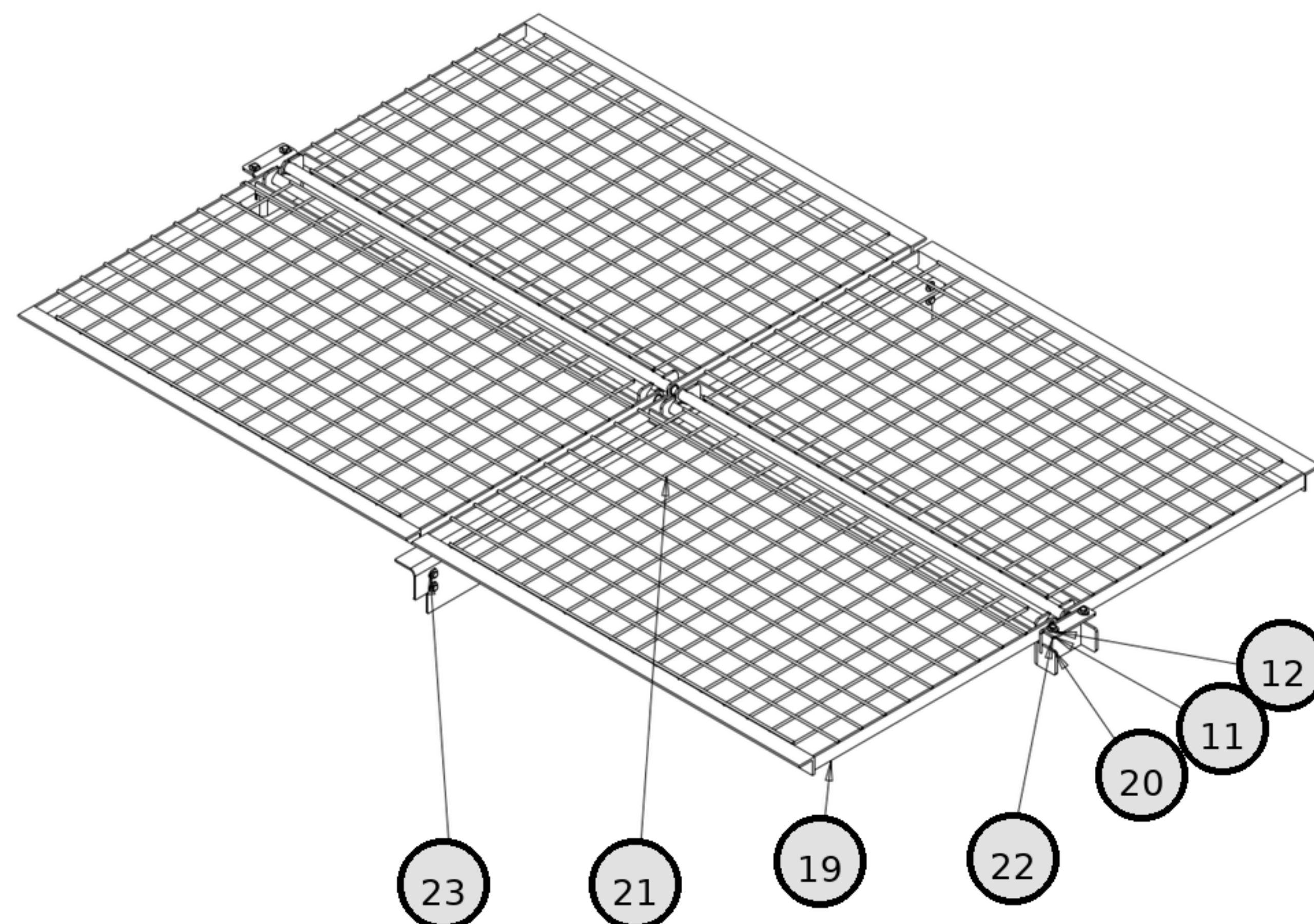
2025 DESIGN  
RECESSED SCREEN



2022 DESIGN  
FLUSH SCREEN



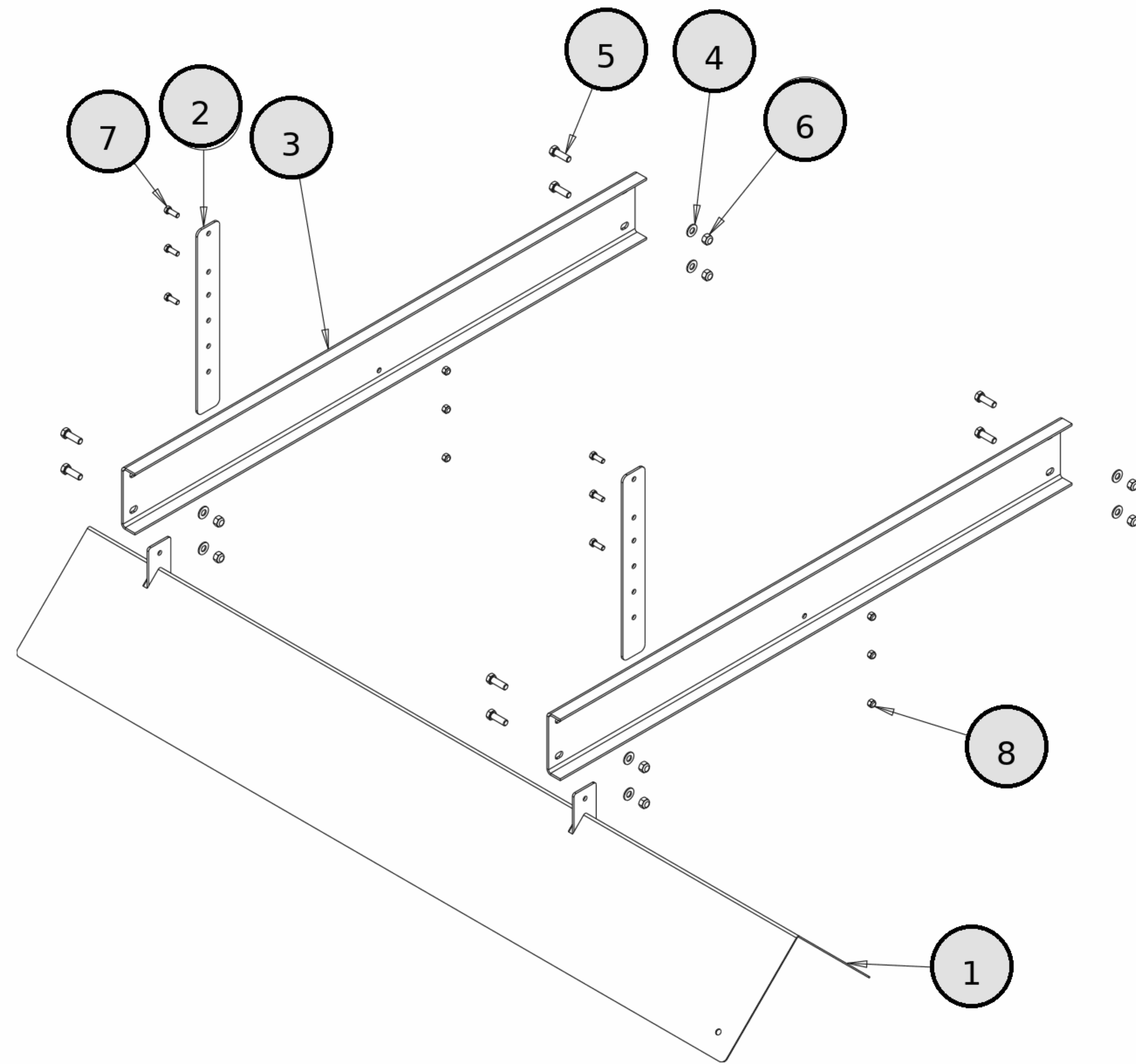
2020 DESIGN  
FRAMED SCREEN



REF	PN	DESCRIPTION
1	3001257	HAIR PIN, SST
2	3018701	SCREW, HEX HD, 5/16-18 X 1 SST
3	3055355	WIRE MESH, 8FT (2 PER)
3	3055355	WIRE MESH, 8FT (2 PER)
3	3055491	WIRE MESH, 9FT (2 PER)
3	3055491	WIRE MESH, 9FT (2 PER)
3	3055498	WIRE MESH, 10FT (2 PER)
3	3055498	WIRE MESH, 10FT (2 PER)
4	3063159	CROSS MEMBER, SST, MIDSIZE 46/52
5	3063257	SCREEN LOCATER
6	3063685	CLEVIS PIN, .375X2-1/8 SST
7	3063161	CLAMP, SCREEN, 10FT (2 PER)
7	3063965	CLAMP, SCREEN, 9FT (2 PER)
7	3064265	CLAMP, SCREEN, 8FT (2 PER)
8	3064579	BRACKET, TIE-DOWN, MIDSIZE
8	3064579	BRACKET, TIE-DOWN, MIDSIZE
9	FCB037516100SS	CARRIAGE BOLT, 3/8-16X1 SST
9	FCB037516100SS	CARRIAGE BOLT, 3/8-16X1 SST
10	FNE031018034SS	NYLOCK NUT, 5/16-18 SST WAXED
11	FNE038016044SS	NYLOCK NUT, 3/8-16 SST WAXED
11	FNE038016044SS	NYLOCK NUT, 3/8-16 SST WAXED
11	FNE038016044SS	NYLOCK NUT, 3/8-16 SST WAXED
12	FWF038100007SS	FLAT WASHER, 3/8 SST
12	FWF038100007SS	FLAT WASHER, 3/8 SST
13	3054283	LOCK PIN
14	3054284	LOCK PIN SPRING
15	3055354	CROSS MEMBER, ENDS
16	3055362	CROSS MEMBER, MIDDLE
17	FPC009000075SS	COTTER PIN, 3/32X3/4 SST
18	FWF025063007SS	FLAT WASHER, 1/4 SST
19	3008352	SCREEN, 9FT (4 PER)
19	3009206	SCREEN, 10FT (4 PER)
19	3014545	SCREEN, 8FT (4 PER)
20	nan	DETENT WELDMENT
21	nan	SCREEN SUPPORT
22	FCS038016100SS	HEX HEAD SCREW, 3/8-16X1 SST
23	FCS038016125SS	HEX HEAD SCREW, 3/8-16X1-1/4 SST

## SCREEN KITS

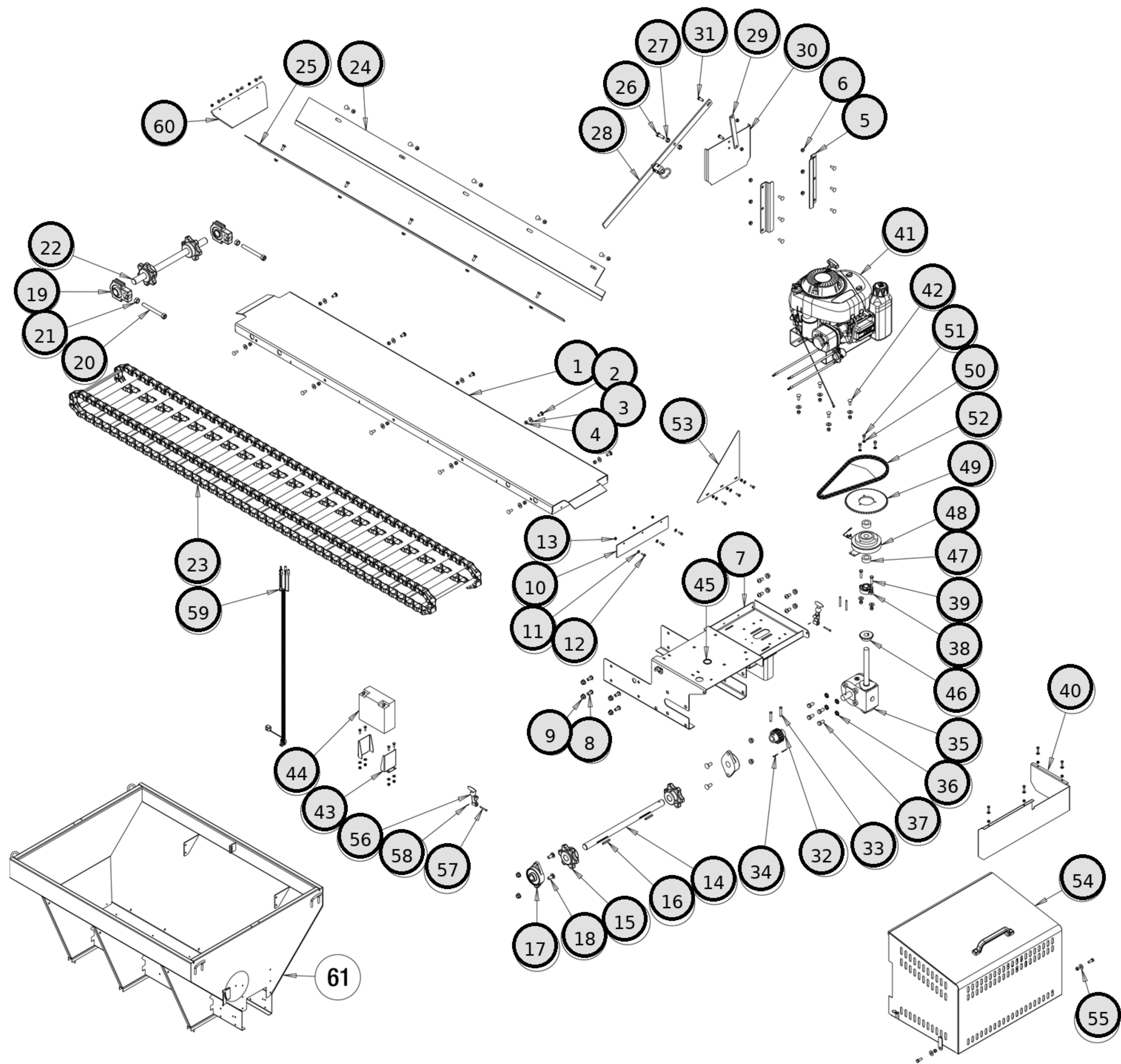
14710F521211 / 14710F461211 / 14709F521211 / 14709F461211 / 14708F461211



REF	PN	DESCRIPTION
1	3025254	INVERTED VEE,WELDMENT 10FT
1	3028141	INVERTED VEE,WELDMENT 9FT
1	3037082	INVERTED VEE,WELDMENT 8FT
2	3030225	BAR, INVERTED VEE
3	3030224	CROSS MEMBER, HOPPER
4	3003873	WASHER, FLAT 1/2 ID SST
5	3006723	SCREW, HEX HD 1/2-13X1.5 GR5 SS
6	FNE050013053SS	NUT, NYLOCK 1/2-13 SS
7	FCS038016100SS	SCREW, HHC 3/8-16 X 1 304 SST
8	FNE038016044SS	NUT, NYLOCK 3/8-16 X 7/16 SST

## INVERTED VEE

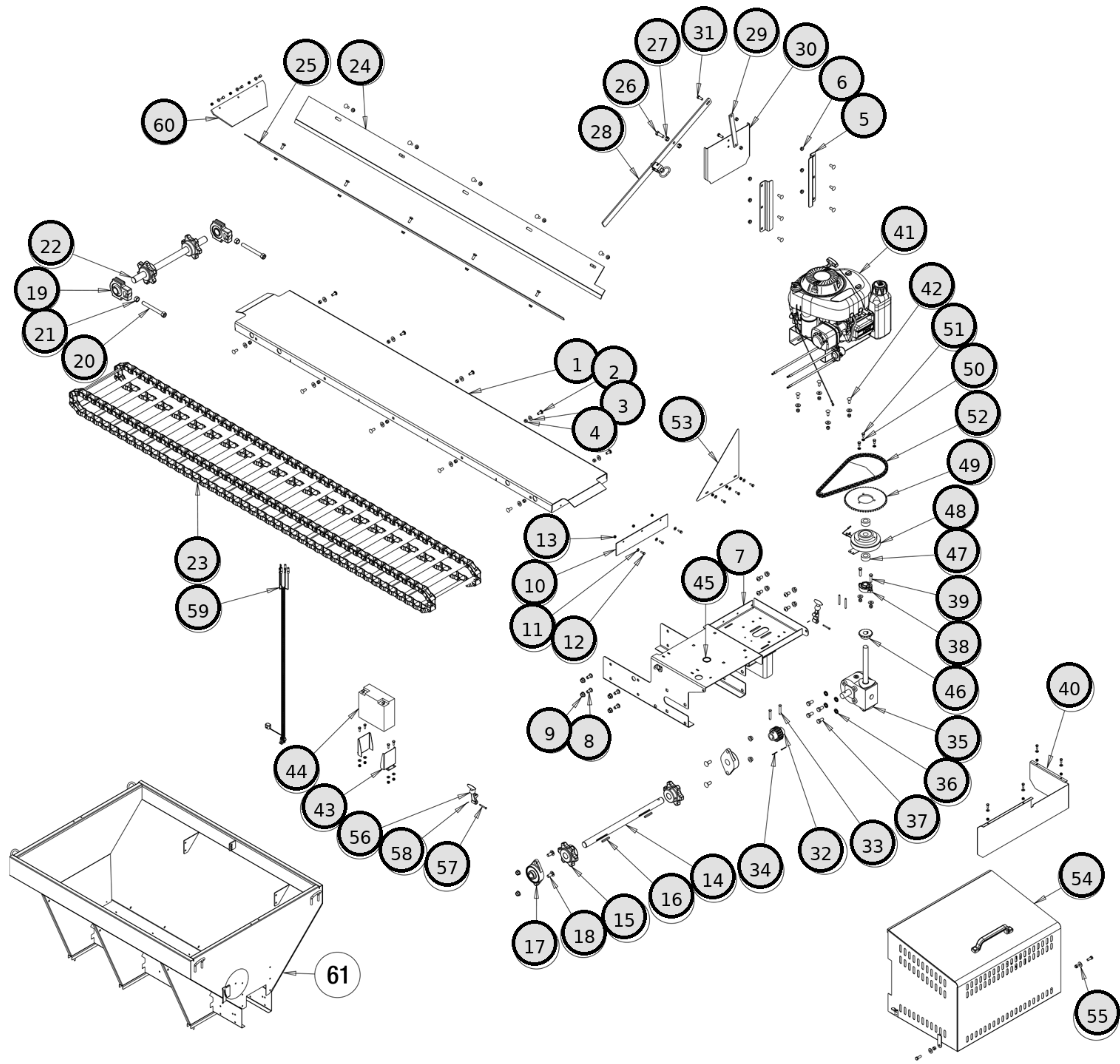
14710F521211 / 14710F461211 / 14709F521211 / 14709F461211 / 14708F461211



REF	PN	DESCRIPTION
1	3049336	FLOOR WELDMENT, 8FT
1	3050127	FLOOR WELDMENT, 9FT
1	3050400	FLOOR WELDMENT, 10FT
2	3014960	BOLT, 3/8-16 X 1 CARRIAGE SHORT NECK SST
3	FWF038100007SS	WASHER, FLAT 3/8 USS SST
4	FNE038016044SS	NUT, NYLOCK 3/8-16 X 7/16 SST
5	3049252	GUIDE FEEDGATE
6	3001255	NUT, HEX FLNG-3/8-16 SST
7	3008894	DECK, ENGINE, WELDED
8	3004278	SCREW, BTN HD SOC CAP 1/2-13X 1 SST
9	3001523	NUT, HX FLNG-1/2-13 SST
10	3008872	WIPER BELT, HOPPER
11	FWF025063007SS	WASHER, FLAT 1/4 SAE SS
12	FCS025020075SS	SCREW, CAP 1/4-20 X 3/4 SST
13	FNE025020031SS	NUT, NYLOCK, 1/4-20, GR A, SST
14-19 33-35	3053123	DRIVE SHAFT SERVICE KIT, MIDSIZE
14	3008316	SHAFT, SPROCKET DRIVE END
15	3008300	SPROCKET, D667H CHAIN
16	KS402	KEY, 1/4 X 1/4 X 2
17	3008294	BEARING, FLANGED
18	3024115	BOLT, CARRIAGE, 1/2-13 X 1-1/2, FT SST
19	3008290	BEARING, HEAVY DUTY TAKE-UP
20	141050WSS	BOLT, WELDED TAKE UP, SCH IDLER
21	FNH063011054SS	NUT, HH 5/8-11 X 17/32 HIGH SST
22	3008317	SHAFT, IDLER SPROCKET
23	3008860	CHAIN, D667H CONVEYOR, 9FT
23	3009114	CHAIN, D667H CONVEYOR, 10FT
23	3014539	CHAIN, D667H CONVEYOR, 8FT
24	3049257	SHIELD, CHAIN, PS, 8FT
24	3050130	SHIELD, CHAIN, PS, 9FT
24	3050396	SHIELD, CHAIN, PS, 10FT
25	3049353	SHIELD, CHAIN, DS, 8FT
25	3050129	SHIELD, CHAIN, DS, 9FT
25	3050397	SHIELD, CHAIN, DS, 10FT
26	FCS050013150SS	SCREW, HHC-1/2-13 X 1.50 SST
27	3003874	NUT, HEX REVERSABLE LOCK 1/2-13 SST
28	3011832	LEVER, WELDED, FEED GATE
29	3008339	BAR, FEED GATE DOOR
30	3008338	DOOR, SALT GATE
31	FCS038016100SS	SCREW, HHC 3/8-16 X 1 304 SST
32	3008289	COUPLING, DRIVE SHAFT/ GEARBOX
33	1410803	PIN, CLEVIS, 3/8 X 2, 1038 ST, YZN
34	FPC013000100	COTTER PIN, 1/8 X 1, ZINC
35	1401200	GEARBOX
36	FWL050088013SS	WASHER, LOCK - 1/2 SPLIT SST
37	FCS050013100SS	SCREW, HHC-1/2-13 X 1 SST
38	1411000	BEARING, 2-HOLE FLANGED 1"
39	FCS038016150SS	SCREW, HX HD CAP 3/8-16 X 1-1/2 SST
40	3008418	CHAINGUARD

## HOPPER

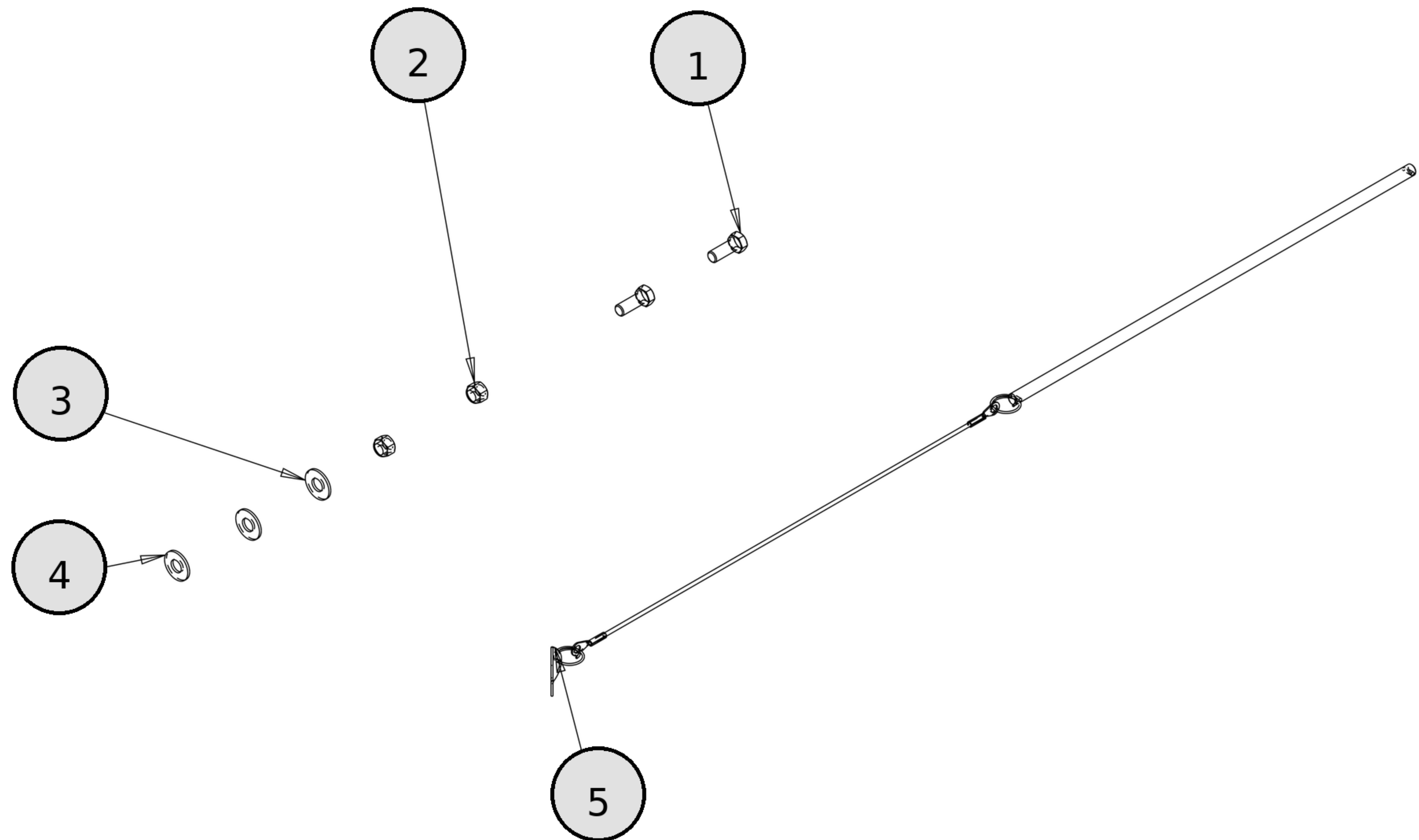
14710F521211 / 14710F461211 / 14710F381211 / 14709F521211 / 14709F461211 / 14709F381211 / 14708F461211 / 14708F381211



REF	PN	DESCRIPTION
41	3008327	ENGINE ASSEMBLY
42	FCB037516100SS	BOLT, 3/8-16 X 1 CARRIAGE SST
43	3001363	BRACKET, BATTERY MOUNT
44	1410717	BATTERY, 12 V, 20 AH, 275 CCA SLA
45	1413200	GROMMET, 1 1/2 RUBBER
46	1410702	SPROCKET, GEARBOX SPINNER CHAIN
47	1411500	COLLAR, 1 IN SHAFT LOCKING
48	1401150	ASSEMBLY, CLUTCH
49	1411800	SPROCKET, CLUTCH CHAIN
50	FWL031058008SS	WASHER, 5/16 LOCK SST
51	FCS031018063SS	SCREW, HHC 5/16-18 X 5/8 SST
52	3009327	CHAIN, #40 MID SIZE SPREADER
53	3002113	GUARD, ENGINE BASE SST
54	3018369	SHROUD ENGINE SST
55	3001361	WASHER, 3/8 NYLON FLAT
56	3002398	STRAP, HOOD LATCH
57	3002390	PIN, CLEVIS 3/16" X 1-11/16" SST
58	3002392	PIN, COTTER 1/16" X 1/2" SST
59	3009653	WIRE HARNESS 3' HOPPER SPREADER
60	3050273	WIPER BELT, FRONT, MID SIZE

# HOPPER

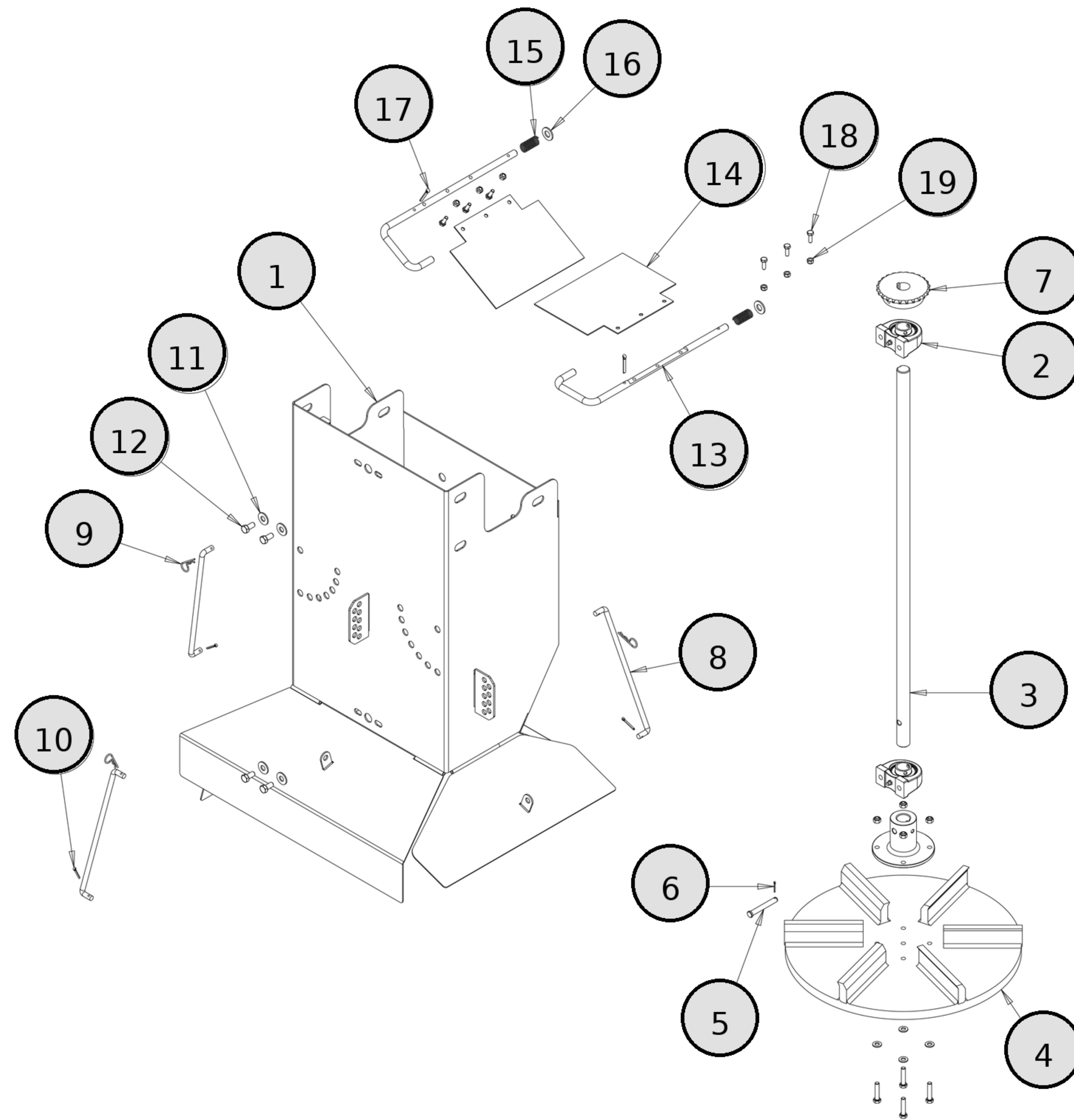
14710F521211 / 14710F461211 / 14710F381211 / 14709F521211 / 14709F461211 / 14709F381211 / 14708F461211 / 14708F381211



REF	PN	DESCRIPTION
1	FCS038016100SS	SCREW, HHC 3/8-16X1 SST
2	FNE038016044SS	NUT, NYLOCK 3/8-16 SST
3	3001361	WASHER, 3/8 NYLON
4	FWF038100007SS	WASHER, 3/8 SST
5	3030627	LANYARD PIN ASSEMBLY

**CHUTE ATTACHMENT HARDWARE**

14710F521211 / 14710F461211 / 14710F381211 / 14709F521211 / 14709F461211 / 14709F381211 / 14708F461211 / 14708F381211



REF	PN	DESCRIPTION
1	3008378	CHUTE, WELDED GAS SPINNER
2	3009067	BEARING, SPINNER SHAFT
3	3008827	SHAFT, SPINNER DRIVE
4	3008611	DISC, SPINNER ASSEMBLY
5	3009632	PIN, CLEVIS 3/8 X 2.5 UL
6	FPC007800075	COTTER PIN, 5/64 X 3/4
7	3008835	SPROCKET, 24 TOOTH, #40 R CHAIN
8	1420015	CONTROL ROD, SCH CHUTE
9	1420016	PIN, HAIR COTTER, CLEAR ZINC
10	FPC013000100	COTTER PIN, 1/8 X 1, ZINC
11	FWF038100007SS	WASHER, FLAT 3/8 USS SST
12	FCS038016075SS	SCREW, HHC-3/8-16 X 3/4 SST
13	3008852	ROD, SELECTOR
14	3008396	DEFLECTOR, INSIDE
15	3008853	SPRING, SPINNER CHUTE BAFFLE
16	FWF050106010	WASHER, FLAT 1/2" SAE ZINC
17	FPC019000125	PIN, COTTER 3/16" X 1.25" ZN
18	FCS025020075SS	SCREW, CAP 1/4-20 X 3/4 SST
19	FNE025020031	NUT, NYLON INSERT 1/4-20 ZINC

## CHUTE ASSEMBLY

14710F521211 / 14710F461211 / 14710F381211 / 14709F521211 / 14709F461211 / 14709F381211 / 14708F461211 / 14708F381211